

CERTIFICATION



HACCP International



ISO9001

ICE MATE

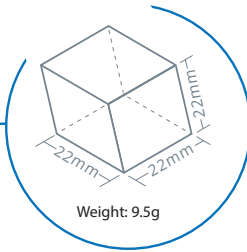


SRM-45A

ICE MAKER

ICEMATE is committed to bringing high-efficiency / energy-saving, and high quality ice-making product to people who have dreams and desire to create their own business with the best scientific technology and manufacturing technology.

DICE



KEY FEATURES

SAFETY AND HYGIENE ASSURED ICE MACHINE



NSF Certified Material for Bin and Scoop



Detachable Parts for Easy Cleaning



Air Filter Prevent Dust from Entering



Stainless Steel

PERFECT FIT & SPACE SAVING



Compact Design for Under-Counter Installations



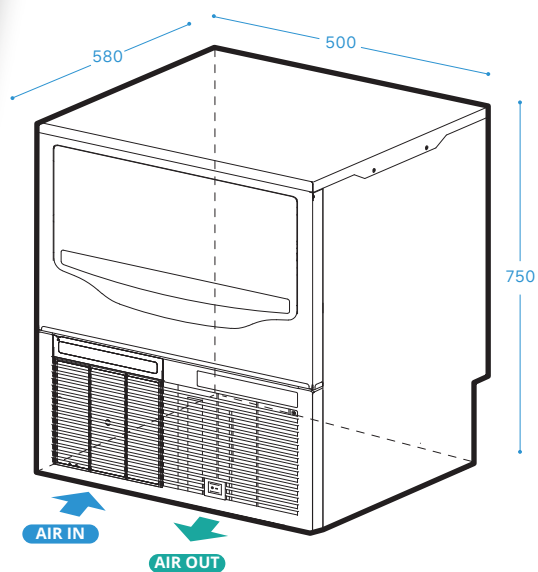
Front Intake and Exhaust System

EASY MAINTENANCE

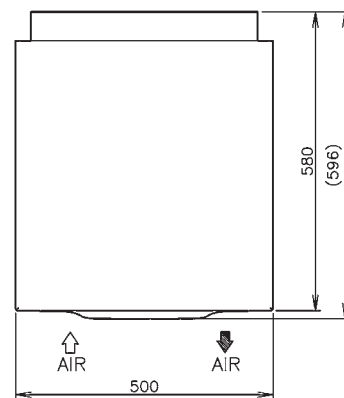


IoT





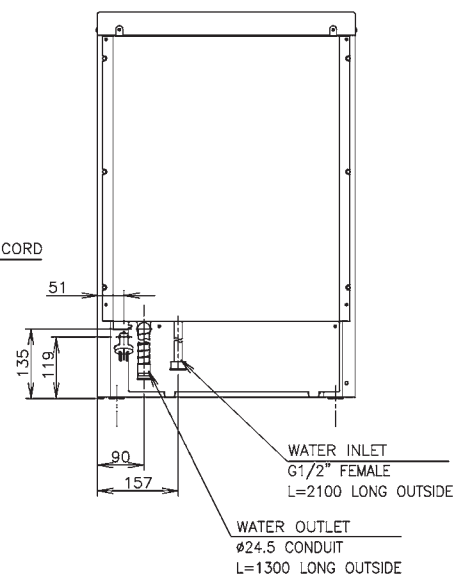
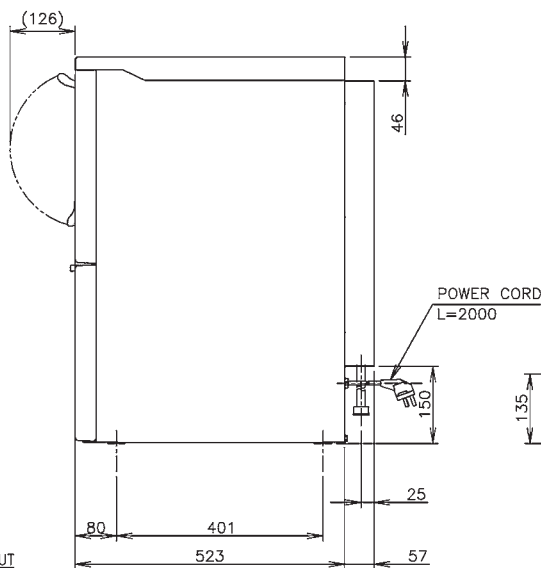
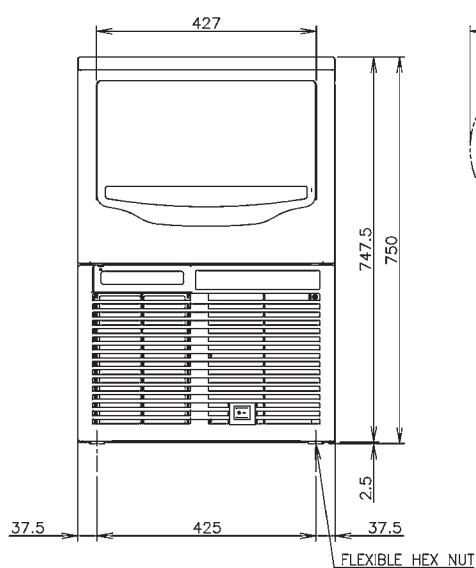
TOP SIDE



FRONT SIDE

RIGHT SIDE

BACK SIDE



SPECIFICATIONS

Ice Dimensions (W x D x H)	22 x 22 x 22 mm
Outside Dimensions (W x D x H)	500 x 580 x 750 mm
Package Dimensions (W x D x H)	Carton: 625 x 716 x 875 mm
Weight (Net / Gross)	36 kg / 40 kg
Amperage / Starting Amperage	2.05A / 15.5A
Electrical Consumption	287 W
Refrigerant Charge	R134a / 160g
Ice Storage Capacity	Maximum 14kg
Ice Production per 24H	(AT10°C / WT10°C) Approx. 46 kg (AT21°C / WT15°C) Approx. 41 kg (AT32°C / WT21°C) Approx. 35 kg

Water Consumption per 24H	(AT32°C/WT21°C) 0.06m ³ (1.8L / kg Ice)
Ice Production Freeze Cycle Time	(AT21°C/WT15°C) 18 min
Ice Production per Cycle	(AT21°C/WT15°C) Approx. 0.5kg / 55 pcs

OPERATING CONDITIONS

Voltage Range	198 - 254 V
Ambient Temperature	5 - 38°C
Water Supply	5 - 32°C
Water Supply Pressure	0.07 - 0.55 Mpa (0.7 - 5.5 bar)
Supply Voltage	1/220 - 240V / 50Hz



HOSHIZAKI

HOSHIZAKI (THAILAND) LIMITED

No. 99 CP Tower North Park building 9th Floor, Zone D1 Soi Ngamwongwan 47 Intersection 42, Thung Song Hong Subdistrict, Lak Si District, Bangkok 10210 Thailand. TEL +66 2 005 9980 | FAX +66 2 516 2646
<http://hoshizaki-sea.com>